



BONSMARA BEESTELERSGENOOTSAP VAN SA

Saamgestel deur die Suid-Afrikaanse Stamboek- en Veeverbeteringsvereniging

Stamboek- en Prestasiedata korrek gesertifiseer

Veilingsdatum: 28/07/2011

Data soos op 06/07/2011 09:28:16

EXPLANATION OF ABBREVIATIONS IN CATALOGUE

VERDUIDELIKING VAN AFKORTINGS IN KATALOGUS

Birth details	BIRTH	GEBOORTE	Geboorte Besonderhede
Growth traits	GROWTH RATE	GROEIVERMOë	Groei Eienskappe
Efficiency traits	EFFICIENCY	DOELTREFF	Doeltreffendheids eienskappe
Body measurements	MEASURE	MATES	Liggaamsmates
Reproduction traits	REPROD	REPROD	Reproduksie eienskappe
Detail of parents	PARENTS	OUERS	Inligting van ouers

Lot number	Lot	Lot	Lotnommer
Seller	Seller	Verkoper	Verkoper
Identification number	ID	ID	Identifikasienommer
Generation/Section of Herdbook	Gen	Gen	Generasie/Afdeling van kuddeboek
Award received	Aw/Award	Toek	Toekenning ontvang
Phase tested	Phase	Fase	Fase getoets
Contemporaries in test	Cont	Tydg	Tydenote in toets
Weight in kilogram	Wgt	Gew	Gewig in kilogram
Index	Ind	Ind	Indeks
Accuracy of breeding value	Acc	Akk	Akkuraatheid van teelwaarde

BREEDING VALUES		TEELWAARDES	
Birth direct (kg)	Birth Dir	Geb Dir	Geboorte direk (kg)
Birth maternal (kg)	Birth Mat	Geb Mat	Geboorte maternaal (kg)
Wean direct (kg)	Wean Dir	Speen Dir	Speen direk (kg)
Wean maternal (kg)	Wean Mat	Speen Mat	Speen maternaal (kg)
12 Months (kg)	12M	12M	12 Maande (kg)
18 Months (kg)	18M	18M	18 Maande (kg)
Average daily gain (g/day)	ADG	GDT	Gemiddelde daaglikse toename (g/dag)
Mature weight (kg)	Matur Wgt	Volw Gew	Volwasse gewig (kg)
Feed conversion ratio	FCR	VOV	Voeromsetverhouding
Average daily feed intake	DFI	GDI	Gemiddelde daaglikse voer inname
Feedlot profit (Rands and cents)	Feed Prof	Voer Wins	Voerkraalwins (Rande en sente)
Height (mm)	Hgt	Hgt	Hoogte (mm)
Length (mm)	Lgt	Lgt	Lengte (mm)
Calving tempo (calves)	Calf Temp	Kalf Temp	Kalftempo (kalwers)
Scrotal circumference (mm)	SC	SO	Skrotum omvang (mm)

Skin thickness in millimetres	Skin	Vel	Veldikte in millimeter
Length: Height ratio	L:H	L:H	Lengte: Hoogteverhouding
Age at 1st calving in months	AFC (m)	OEK (m)	Ouderdom 1ste kalf in maande
Average Inter-calving period in days	ICP	TKP	Gemiddelde Tussenkalfperiode in dae
Age in years and months	Age	Oud	Ouderdom in jare en maande
Number of calvings	Calv	Kalw	Aantal kalwings
Average Wean index	Ave WI	Gem SI	Gemiddelde Speenindeks
Number of calves	Calf	Kalf	Aantal kalwers
Days open since last calving	Days Open	Dae Oop	Dae oop sedert laaste kalwing
Reproduction index	R.I.	R.I.	Reproduksie Indeks
Calf information	Calf	Kalf	Kalf informasie

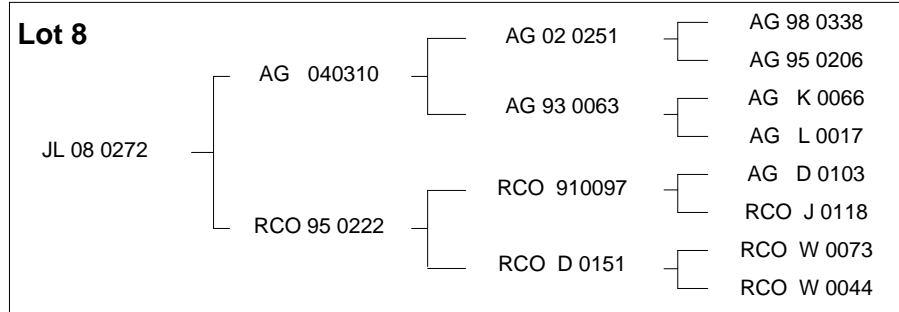
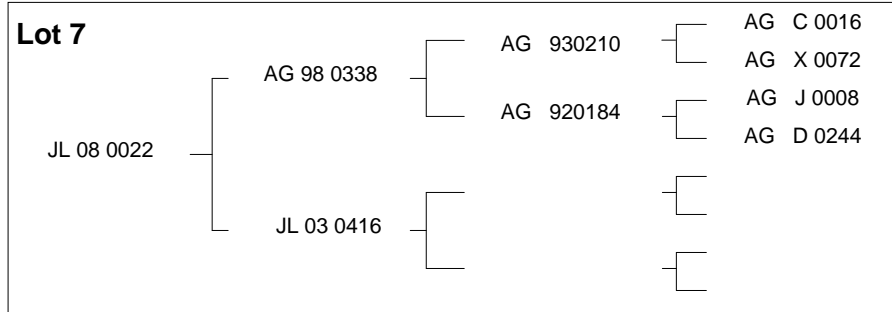
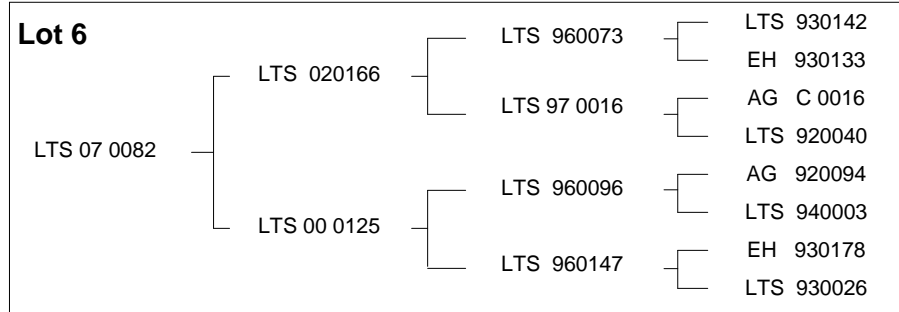
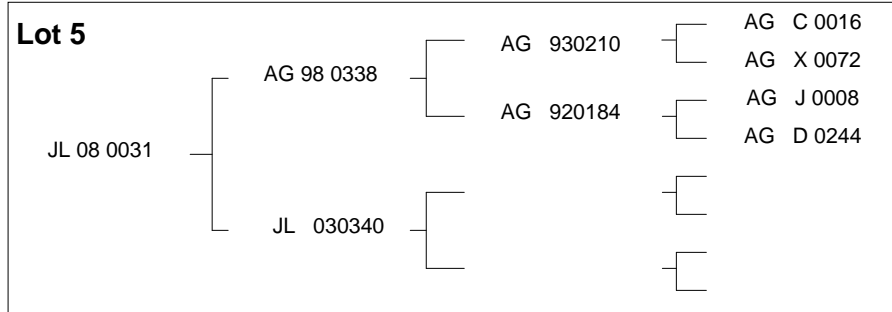
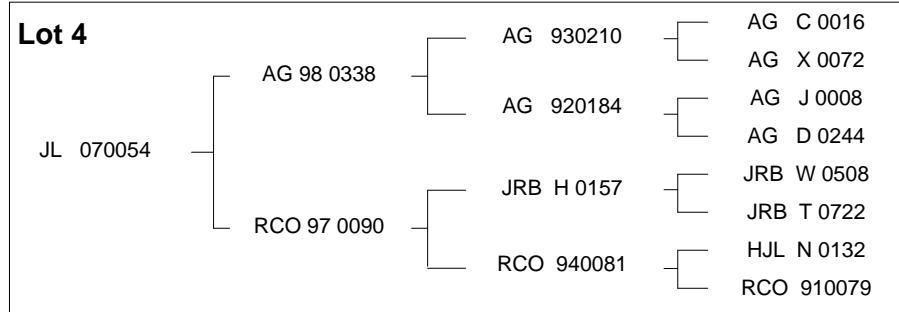
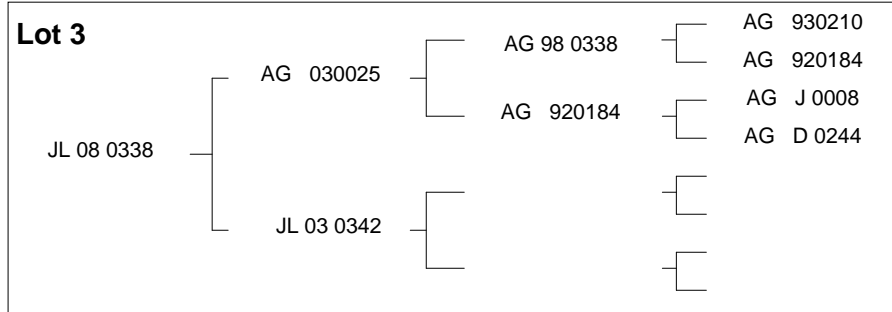
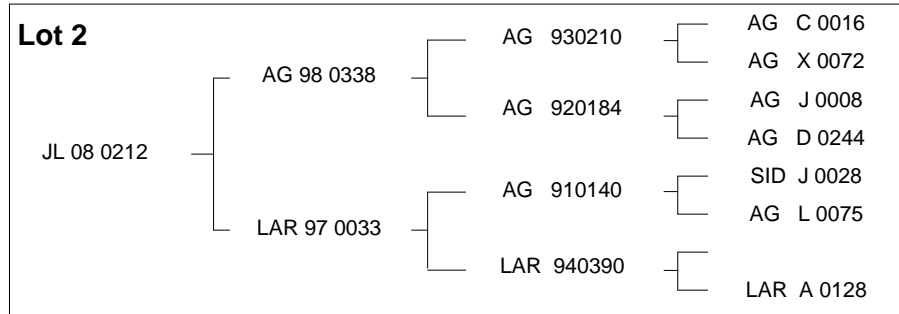
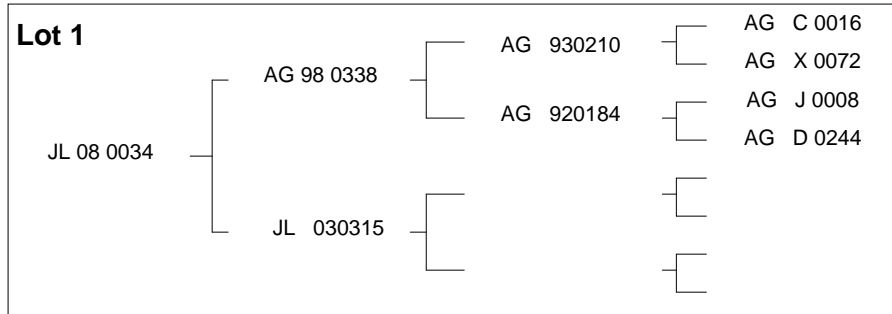


BONSMARA CATTLE BREEDERS' SOCIETY OF SA

Compiled by the South African Stud Book and Livestock Improvement Association

Pedigree- and Performance data certified correct

Auction Date: 28/07/2011
Data as on 06/07/2011 09:28:16





BONSMARA BEESTELERSGENOOTSAP VAN SA

Saamgestel deur die Suid-Afrikaanse Stamboek- en Veeverbeteringsvereniging

Stamboom- en Prestasiedata korrek gesertifiseer

Veilingsdatum: 28/07/2011
Data soos op 06/07/2011 09:28:23

BULLE

Lot	Verkoper	ID	Afd	Fase	GEBORTE		GROEIVERMOË					DOELTREFF			MATES			REPROD		OUERS						R.I.	TELER SE EIE OPMERKINGS	
					Geb Dir	Geb Mat	Speen Dir	Speen Mat	12M	18M	Volw Gew	GDT	VOV	GDI	Voer Wins	Hgt	Lgt	Vel (mm)	Kalf Temp	SO	Vaar		Moer					
					Akk	Akk	Akk	Akk	Akk	Akk	Akk	Akk	Akk	Akk	Akk	Akk	Akk	Akk	Akk	Akk	ID	ID	OEK (m)	Oud	Gem SI			
Toek	Tydg	Gew	Datum	Gew	Ind	Ind	Ind	Ind	Ind	Ind	Ind	Ind	Ind	Ind	Ind	(mm)	(mm)	L:H	(mm)	Toek	Toek	TKP	Kalw	Kalf				
9	JAY-EL BONSMARAS	JL 08 0195	SP	D	0.23 78	0.02 45	4.4 44	-3.3 45	-1.2 36	-4.8 35	-4.0 34	28 57	-58 28	-	13.76 52	20 70	22 66	19	9.00 10	-1.1 69	VV 05 0036	VV 94 0014	23	14	97	115	Moer Embrio-skenker	
				12	40	27.09.08	230	99				90	-		1192	1381	1.16		352	-	-	382	13	13				
10	JAY-EL BONSMARAS	JL 07 0322	SP	D	0.49 82	-0.27 66	6.4 76	-2.0 67	7.0 71	7.7 61	-8.0 56	35 71	-64 54	-	38.60 68	-10 78	2 76	18	45.00 22	5.6 77	AG 98 0338	BHE 95 0032	38	15	101	108	Versbul Moer Embrio-skenker Gebruik in Stoet	
				24	40	09.12.07	218	105				94	-		1132	1383	1.22		353	-	-	378	12	11				
11	JAY-EL BONSMARAS	JL 08 0560	SP	D	1.31 78	-0.69 45	6.3 43	-4.1 45	2.0 39	-0.5 38	-14.0 36	23 57	-54 28	-	11.15 52	-1 70	4 66	17	27.00 10	11.7 69	MMJ 040067	AG 93 0051	30	17	97	108	Moer Superieur 2003	
				12	40	20.10.08	219	93				96	-		1143	1363	1.19		373	-	-	398	14	12				
12	JAY-EL BONSMARAS	HJB 05 0184	SP	D	-0.08 83	0.31 65	7.9 78	4.4 66	11.8 72	14.1 61	2.0 53	115 70	-126 50	-	72.40 66	-1 78	17 75	21	63.00 19	-7.0 77	AG 98 0338	LA 98 0167	35	9	104	108	Gebruik in Stoet Moer Elite 2010 Moer Embrio-skenker	
				28	35	17.11.05	236	109				99	-		1178	1398	1.19		325	-	-	375	7	7				
13	JAY-EL BONSMARAS	JL 08 0700	SP	D	3.54 77	0.35 41	10.6 69	-2.9 41	5.9 35	4.9 34	10.0 31	45 28	-72 17	-	28.92 26	-1 33	6 31	18	33.00 10	0.4 32	AG 98 0338	AG 00 0118	37	8	99	106	Gebruik in Stoet	
				9	49	29.10.08	233	103				113	-		1190	1421	1.19		322	-	-	370	6	5				
14	JAY-EL BONSMARAS	JL 07 0323	SP	D	0.52 81	0.24 55	5.6 71	4.8 56	8.4 62	12.0 48	14.0 43	143 64	-146 44	-	82.32 61	4 75	21 71	18	31.00 10	26.7 74	BHE 050156	EI 94 0254	29	16	105	99	Moer Embrio-skenker	
				24	41	18.12.07	220	106				116	-		1146	1408	1.23		382	-	-	451	12	10				
15	JAY-EL BONSMARAS	JL 08 0332	B	B	-0.87 74	-0.03 23	0.9 64	-1.9 31	-5.3 14	0.0 0	-	21 13	-53 8	-	12.84 13	3 17	7 16	-	-	6.1 17	AB 050111	JL 03 0028	*	*	101	118		
				5	38	05.11.08	193	109	94	93		-	-		-	-	-	-	-	-	-	-	358	3	2			
16	JAY-EL BONSMARAS	JL 08 0909	B	B	-	-	-	-	-	-	-	-	-	-	-	-	-	-	-	-	AG 98 0338	JL 050121	*	*	108	-		
				1	39	12.09.08	246	108	100	100		-	-		-	-	-	-	-	-	-	-	-	1	1			



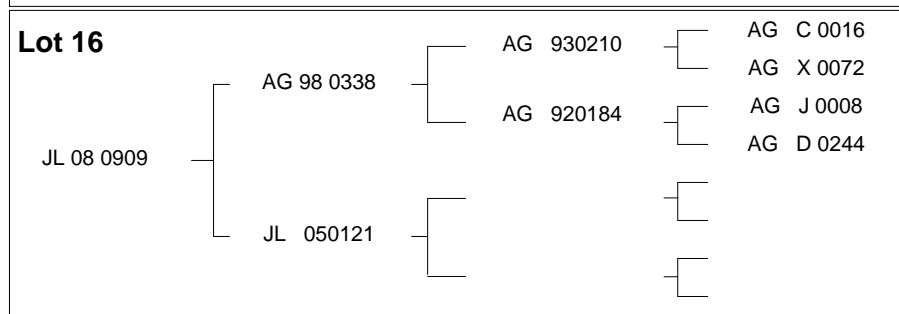
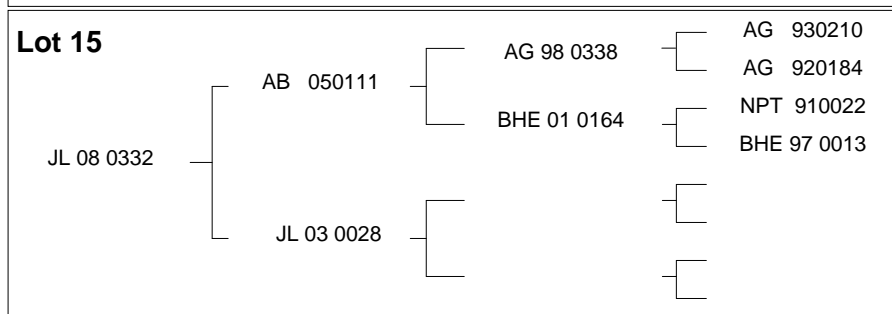
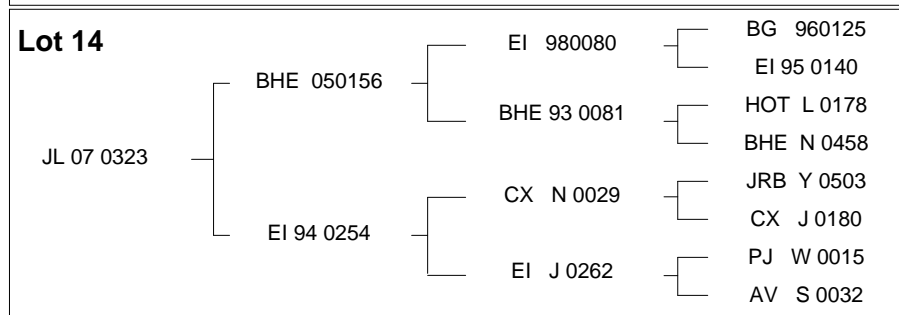
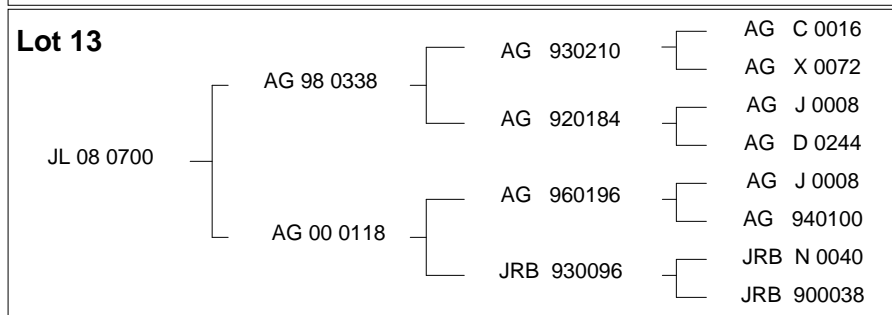
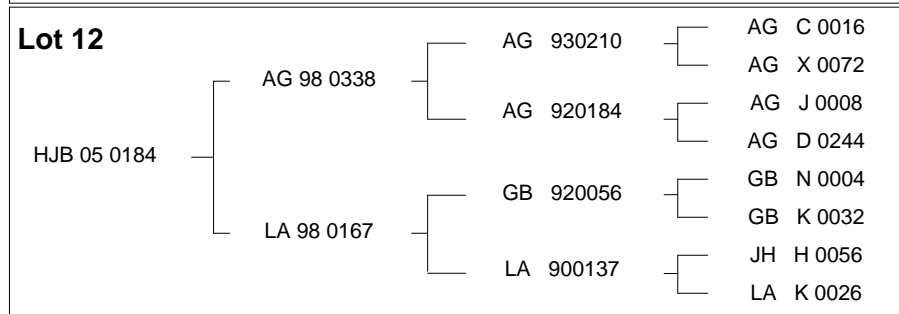
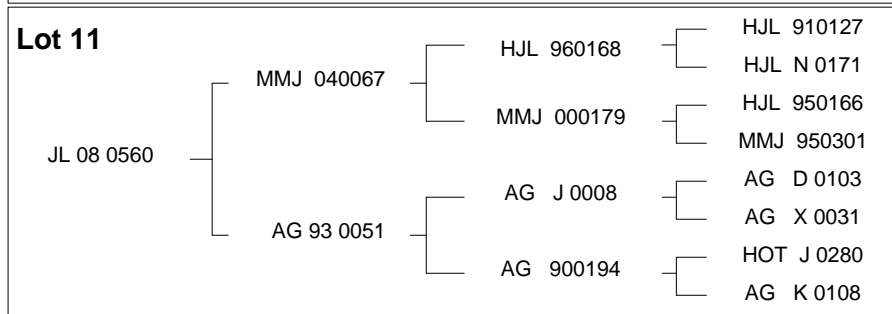
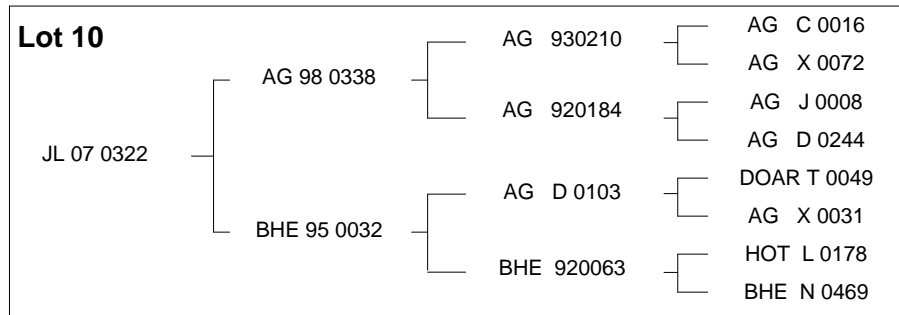
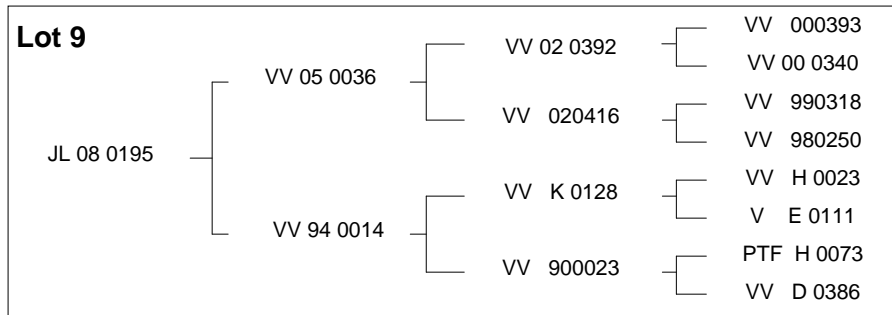
BONSMARA BEESTELERSGENOOTSAP VAN SA

Saamgestel deur die Suid-Afrikaanse Stamboek- en Veeverbeteringsvereniging

Stamboom- en Prestasiedata korrek gesertifiseer

Veilingsdatum: 28/07/2011

Data soos op 06/07/2011 09:28:23



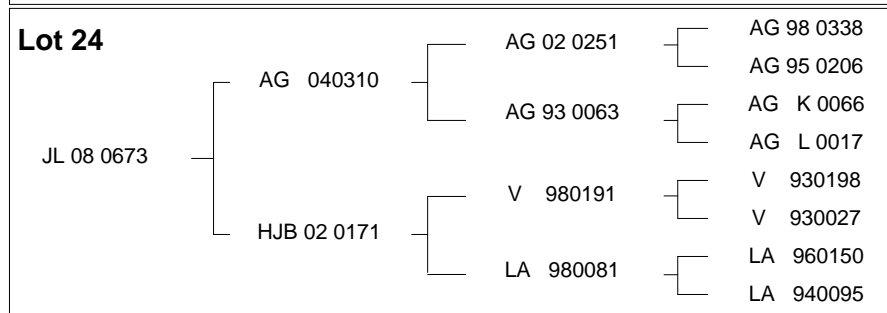
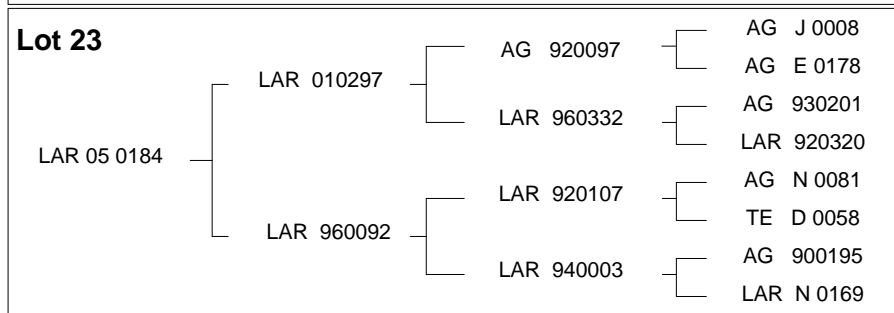
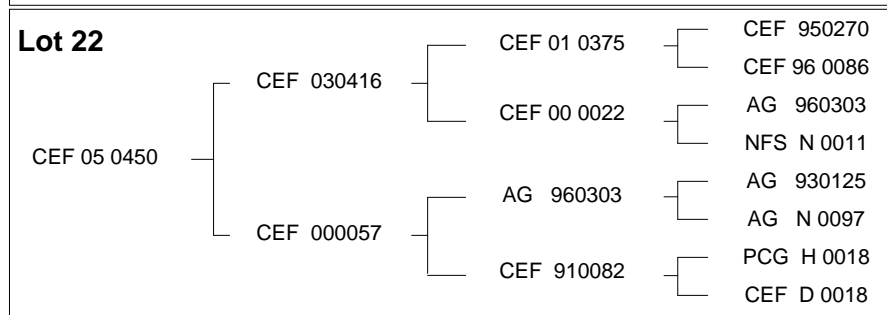
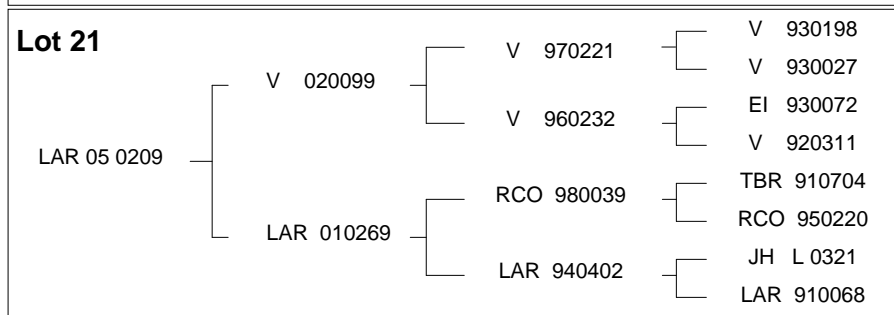
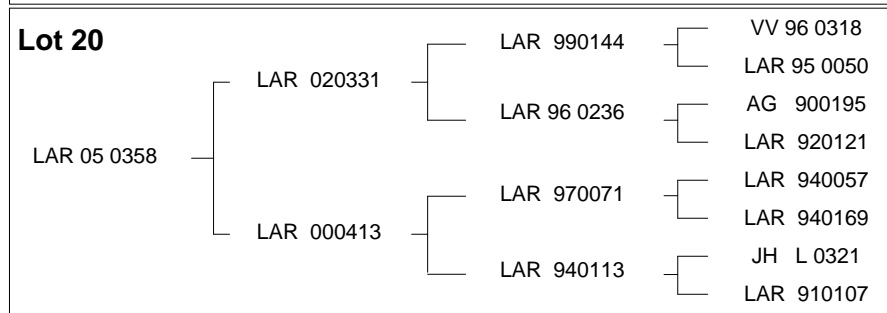
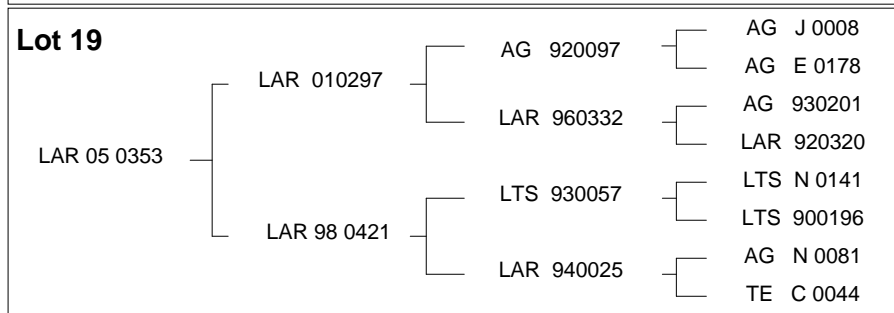
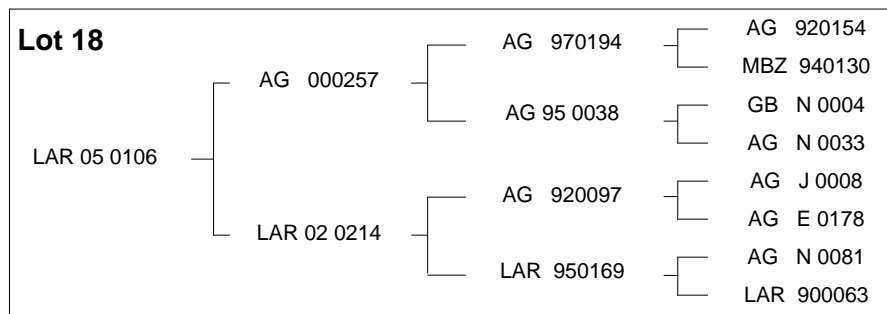
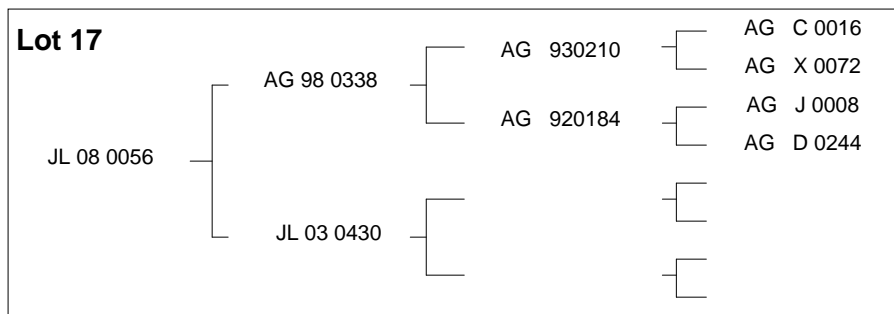


BONSMARA CATTLE BREEDERS' SOCIETY OF SA

Compiled by the South African Stud Book and Livestock Improvement Association

Pedigree- and Performance data certified correct

Auction Date: 28/07/2011
Data as on 06/07/2011 09:28:27





BONSMARA BEESTELERSGENOOTSKAP VAN SA

Saamgestel deur die Suid-Afrikaanse Stamboek- en Veeverbeteringsvereniging

Stamboom- en Prestasiedata korrek gesertifiseer

Veilingsdatum: 28/07/2011

Data soos op 06/07/2011 09:28:33

BULLE

Lot	Verkoper	ID	Afd	Fase	GEBORTE		GROEIVERMOË					DOELTREFF			MATES			REPROD		OUERS						TELER SE EIE OPMERKINGS				
					Geb Dir	Geb Mat	Speen Dir	Speen Mat	12M	18M	Volw Gew	GDT	VOV	GDI	Voer Wins	Hgt	Lgt	Vel (mm)	Kalf Temp	SO	Vaar		Moer							
					Akk	Akk	Akk	Akk	Akk	Akk	Akk	Akk	Akk	Akk	Akk	Akk	Akk	Akk	Akk	Akk	ID	ID	OEK (m)	Oud	Gem SI		R.I.			
Toek	Tydg	Gew	Datum	Gew	Ind	Ind	Ind	Ind	Ind	Ind	Ind	Ind	Ind	Ind	Ind	Ind	Ind	Ind	Ind	Ind	Ind	Ind	Ind	Ind	Ind	Ind	Ind	Ind	Ind	Ind
25	JAY-EL BONSMARAS	CEF 05 0505	SP	D	1.06 84	-1.26 64	9.5 80	3.6 64	14.8 72	19.7 57	-6.0 51	76 69	-97 23	-	55.44 56	-5 77	5 74	14	41.00 22	13.8 77	CEF 01 0375	CEF 00 0161	30	10	101	108	Gebruik in Stoet			
				30	37	07.10.05	238	95				102	-			1161	1372	1.18		339	-	-	401	8	7					
26	JAY-EL BONSMARAS	JL 08 0541	SP	D	-1.09 77	0.04 44	-1.0 70	-3.9 44	-5.5 59	-10.5 34	-12.0 31	-1 57	-33 23	-	13.28 50	-1 70	0 66	17	9.00 10	5.8 69	AG 98 0338	GV 950157	33	13	98	104				
				12	36	06.10.08	197	90				111	-			1156	1346	1.16		372	-	-	412	10	10					
27	JAY-EL BONSMARAS	RGR 07 0042	SP	D	4.06 81	0.29 54	11.1 76	4.8 56	12.0 68	16.7 49	22.0 39	37 66	-65 28	-	37.08 57	-6 76	8 72	14	29.00 10	15.0 75	RGR 040106	RGR 930018	35	14	100	108	Moer Elite 2006			
				42	44	18.05.07	245	98				98	-			1149	1417	1.23		369	-	-	387	11	10					
28	JAY-EL BONSMARAS	RGR 07 0031	SP	D	2.01 81	-0.43 54	9.2 76	3.3 55	10.0 67	13.0 52	12.0 42	37 65	-66 28	-	49.90 56	-3 76	12 72	17	39.00 10	11.6 75	RGR 040106	EI 950295	29	15	95	100	Moer Elite 2010			
				42	34	10.05.07	235	98				116	-			1156	1402	1.21		382	-	-	448	11	9					
29	JAY-EL BONSMARAS	JL 08 0280	SP	B	5.85 78	-0.09 45	16.2 70	-1.5 45	10.8 38	11.9 31	8.0 26	56 35	-81 8	-	31.67 28	7 39	18 38	-	-4.00 10	8.4 38	AG 98 0338	GBS 91 0103	30	18	100	101	Moer Voortreflik 1998			
				5	51	25.09.08	221	96	95	96		-	-			-	-	-		-	-	-	438	14	14					
30	JAY-EL BONSMARAS	JL 08 0286	B	B	- -	- -	- -	- -	- -	- -	- -	- -	- -	- -	- -	- -	- -	- -	- -	- -	EI 05 0211	JL 03 0303	*	*	102	111				
				2	47	25.10.08	259	100	98	99		-	-			-	-	-		-	-	-	387	2	2					
31	JAY-EL BONSMARAS	JL 08 0863	SP	D	-0.56 77	0.79 40	5.8 69	1.5 41	2.6 37	0.1 35	4.0 26	57 32	-82 28	-	31.79 32	12 35	24 34	16	27.00 10	11.9 35	AG 030008	BHE 02 0057	35	8	117	100				
				9	39	05.12.08	244	115				96	-			1167	1341	1.15		323	-	-	419	5	5					
32	JAY-EL BONSMARAS	JL 08 0975	SP	D	2.15 42	0.01 35	11.6 68	-1.9 38	7.9 35	7.4 30	6.0 22	76 31	-97 23	-	45.07 29	2 33	13 32	17	18.00 10	2.6 33	HJB 05 0184	BHE 05 0145	37	4	115	94				
				9	-	05.10.08	203	111				120	-			1150	1327	1.15		347	-	-	401	2	2					



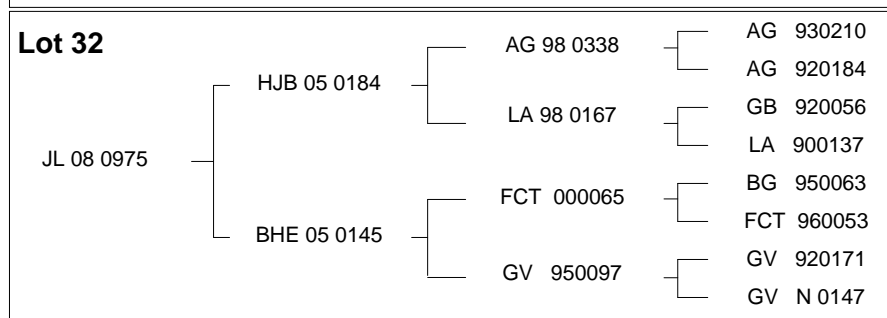
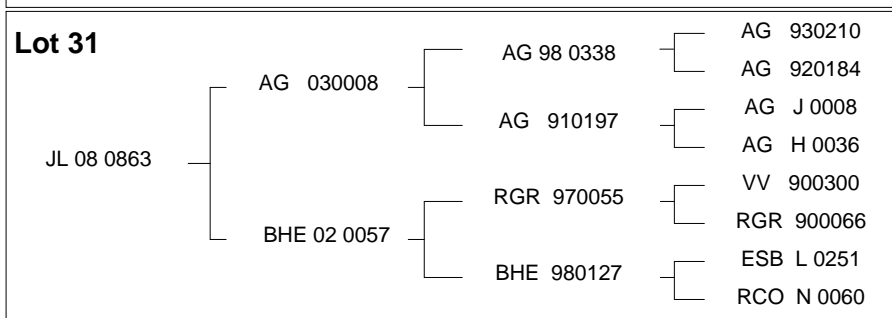
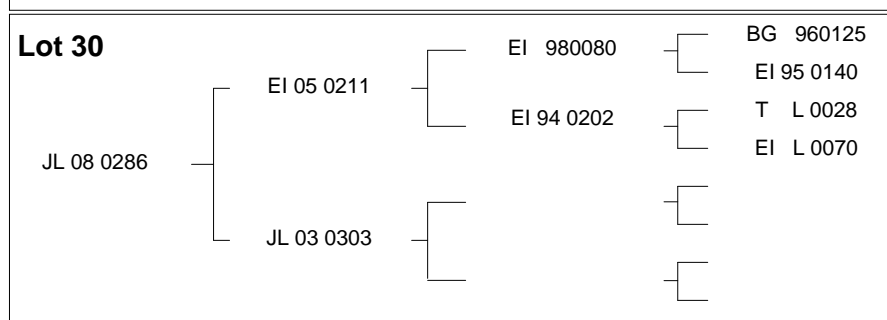
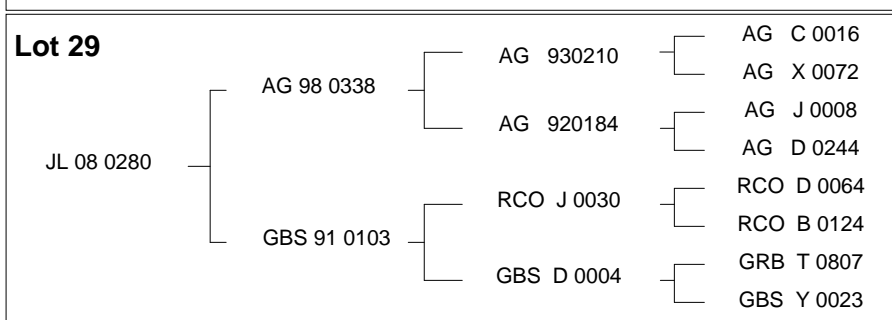
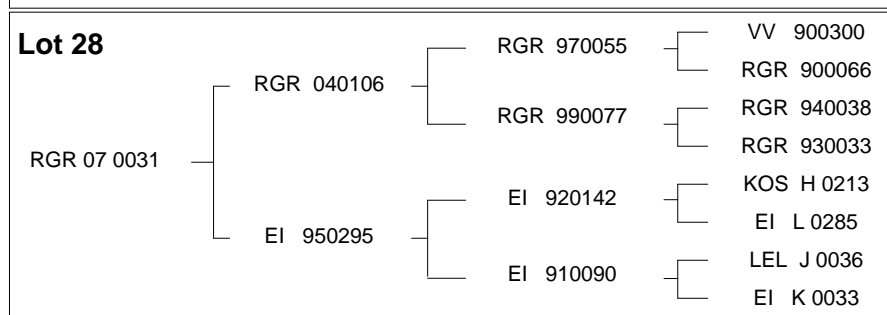
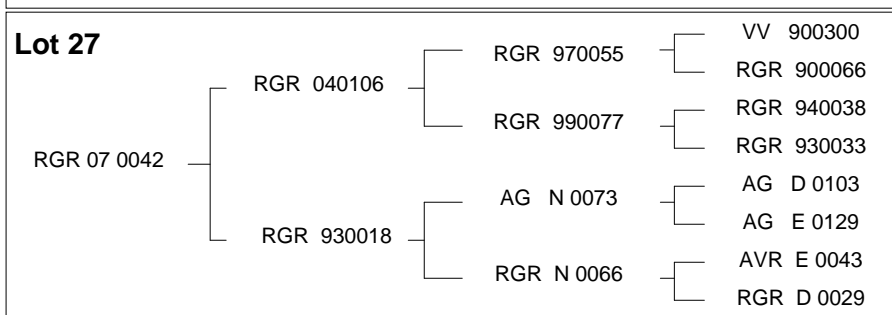
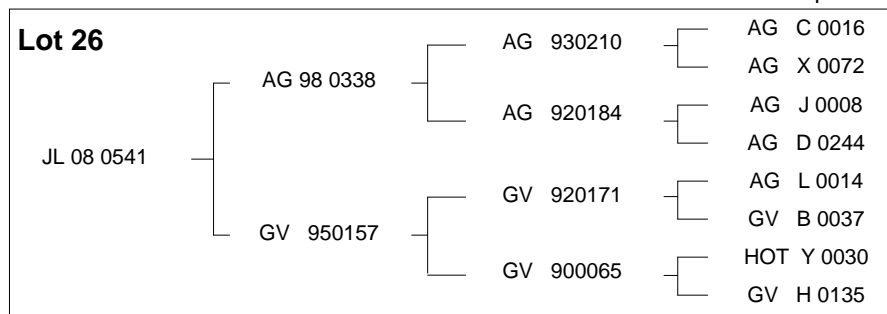
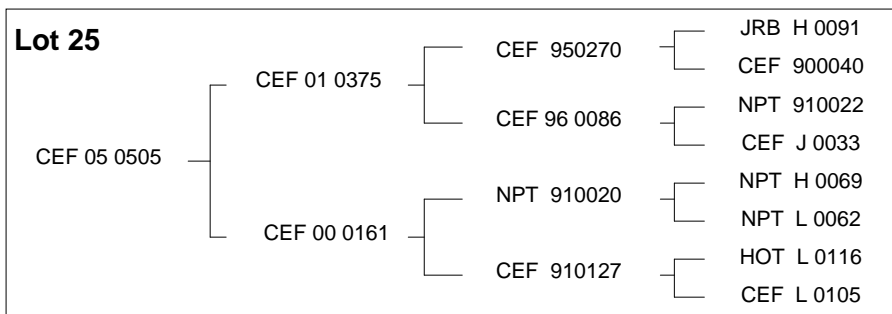
BONSMARA BEESTELERSGENOOTSAP VAN SA

Saamgestel deur die Suid-Afrikaanse Stamboek- en Veeverbeteringsvereniging

Stamboom- en Prestasiedata korrek gesertifiseer

Veilingsdatum: 28/07/2011

Data soos op 06/07/2011 09:28:33





BONSMARA CATTLE BREEDERS' SOCIETY OF SA

Compiled by the South African Stud Book and Livestock Improvement Association

Pedigree- and Performance data certified correct

Auction Date: 28/07/2011
Data as on 06/07/2011 09:28:36

BULLS

Lot	Seller	ID	Sec	Phase	BIRTH		GROWTH RATE					EFFICIENCY			MEASURE			REPROD		PARENTS					R.I.	BREEDER OWN REMARKS	
					Birth Dir	Birth Mat	Wean Dir	Wean Mat	12M	18M	Matur Wgt	ADG	FCR	DFI	Feed Prof	Hgt	Lgt	Skin (mm)	Calf Temp	SC	Sire		Dam				
					Acc	Acc	Acc	Acc	Acc	Acc	Acc	Acc	Acc	Acc	Acc	Acc	Acc	Acc	Acc	ID	ID	AFC (m)	Age	Ave WI			
Aw	Cont	Wgt	Date	Wgt	Ind	Ind	Ind	Ind	Ind	Ind	Ind	Ind	Ind	Ind	Ind	(mm)	(mm)	L:H	(mm)	Aw	Aw	ICP	Calv	Calv			
33	JAY-EL BONSMARAS	JL 08 0372	SP	B	0.28 77	-0.27 41	5.5 70	0.1 42	-0.2 37	-3.7 35	-10.0 28	6 33	-40 28	-	1.08 32	2 36	8 35	-	23.00 10	6.6 36	AG 040310	HJB 99 0387	34	10	110	101	Moer Embryo-skenker
				5	41	12.11.08	245	115	95	93		-	-		-	-	-	-	-	-	-	-	418	7	6		
34	JAY-EL BONSMARAS	JL 08 0418	SP	D	4.45 78	0.37 45	15.1 44	-3.4 45	11.8 40	13.3 37	17.0 34	64 59	-87 23	-	40.35 51	-16 71	-2 67	17	21.00 10	11.1 70	MMJ 040191	BHE 94 0088	28	15	103	116	Moer Elite 2010 Moer Embryo-skenker
				12	50	22.12.08	216	107				107	-		1081	1318	1.22		365	-	-	-	364	13	11		
35	JAY-EL BONSMARAS	JL 08 0558	SP	D	-0.21 77	-0.13 44	5.2 70	-2.6 44	0.4 60	-3.0 33	-13.0 30	65 57	-88 28	-	38.72 52	13 70	23 65	15	25.00 10	-3.2 69	AG 98 0338	HJB 97 0278	23	12	102	102	
				12	38	17.10.08	229	107				107	-		1201	1412	1.18		337	-	-	-	460	9	8		
36	JAY-EL BONSMARAS	JL 08 0960	SP	D	-3.53 77	-0.51 37	0.1 68	-3.3 37	-5.5 35	-11.6 28	-26.0 22	75 27	-96 23	-	37.45 26	9 28	18 28	17	30.00 10	8.8 28	HJB 05 0184	HJB 05 0289	33	5	113	105	
				9	24	04.10.08	207	121				118	-		1169	1407	1.2		397	-	-	-	388	3	2		
37	JAY-EL BONSMARAS	JL 08 0959	B	D	-6.03 76	-0.35 33	-9.5 65	-2.0 31	-19.0 52	0.0 0	-	-25 53	-12 8	-	-6.54 44	-2 68	-2 63	20	0.00 10	6.4 67	BHE 050120	JL 05 0075	*	*	113	111	
				8	21	04.10.08	205	122				100	-		1140	1298	1.14		350	-	-	-	386	3	2		
39	JAY-EL BONSMARAS	JL 08 0974	B	D	0.71 76	0.40 33	7.4 64	-0.2 24	0.6 52	0.0 0	-	49 53	-75 8	-	26.85 44	9 68	17 63	16	0.00 10	12.9 67	AG 98 0338	JL 05 0090	*	*	113	114	
				8	38	05.10.08	228	126				109	-		1161	1348	1.16		357	-	-	-	372	3	2		

0.37	0.04	7.6	3	9.6	11.8	3.8	79	-97	-	55	3	12		40.5	7.6
------	------	-----	---	-----	------	-----	----	-----	---	----	---	----	--	------	-----



BONSMARA CATTLE BREEDERS' SOCIETY OF SA

Compiled by the South African Stud Book and Livestock Improvement Association

Pedigree- and Performance data certified correct

Auction Date: 28/07/2011
Data as on 06/07/2011 09:28:36

